

Simple Free-Energy Devices

There is nothing magic about free-energy and by “free-energy” I mean something which produces output energy without the need for using a fuel which you have to buy.

Chapter 29: Power From Circuitry

In July 2013, two Brazilian men, Nilson Barbosa and Cleriston Leal, demonstrated a simple device which extracted more than 190 kilowatts of power from the ground. While many people have tried to replicate the Barbosa and Leal power generator design which draws power from the Earth, and failed. One man whose forum ID is “Clarence” read the relevant patents and knew immediately how the design works and what items in the patents are misdirection by Barbosa and Leal. He has built his own implementation of the circuit and it works perfectly. He has generously shared the relevant details. Please understand that what follows is not a description of where to start experimenting, but instead it is an actual working design. Build it as described and it will work. Build it differently and it won't work. Clarence has this to say:

In the Barbosa and Leal patent they make a vague reference to the Lenz Law. It just so happens that this is the **key** to the whole device. On the overunity forum, a circuit diagram posted by member “ZeroZero” showed the exact and complete method of defeating the Lenz Law, although most forum members did not seem to understand the importance of the circuit. However, I knew immediately that Lenz's Law was just another name for back-EMF. The Lenz Law effect is overcome by winding the single primary coil in a clockwise direction and the AWG #4 2.5 turn windings are wound on the bare core in an anti-clockwise direction and that totally negates the Lenz Law.

What does this achieve? It gets rid of the voltage component in the secondary windings, leaving only the amperage component! When you wind two toroids exactly the same using this method and connect them as shown below, you create a loop similar to a horseshoe magnet with a keeper on it and the amperage in the loop just goes on circulating round and round as shown by Ed Leedsalin. This is the same principle. The loop has the ability within itself to add unlimited amperage, instantaneously to the neutral green Ground Return wire accordingly as the load requires. The only limit to the available amperage is the current-handling capacity of the looped black wire.

You can touch the black wire loop connections with bare hands because as there is no voltage, there is no resulting shock. The connecting of the AWG #10 phase wire to the bottom loop wire only serves to orient the polarisation of the amperage.

The oriented spinning of the amperage in the loop **induces** the amperage needed by the load, into the Captor output. This little toroid can allow the loop to load an AWG #4 wire enough to **melt** it !!

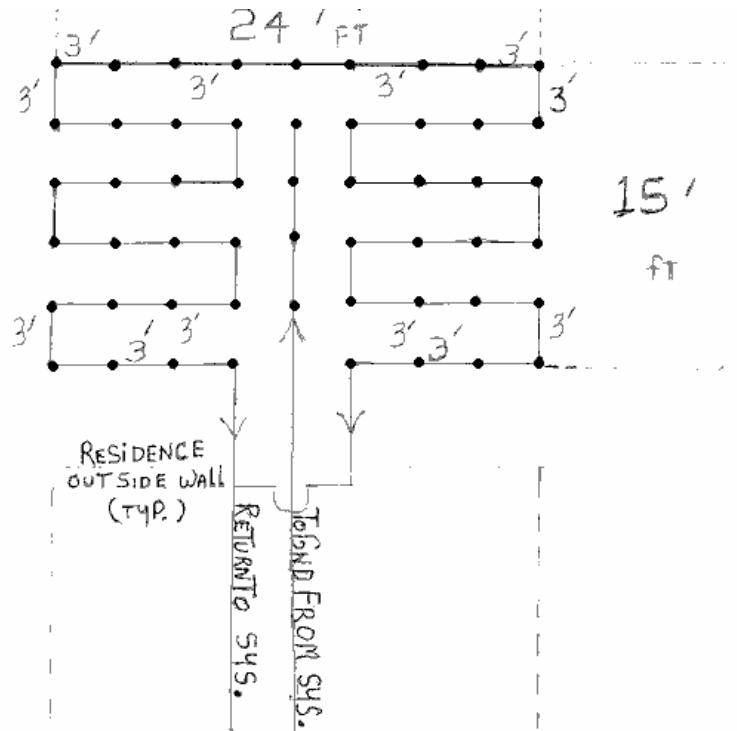
The toroid primary wires Live to Live and Neutral to Neutral should be powered from the inverter by a separate circuit

Another separate circuit should be used with the Live connected to the bottom black looped wire in order to polarise it. The Neutral powers the input to ground.

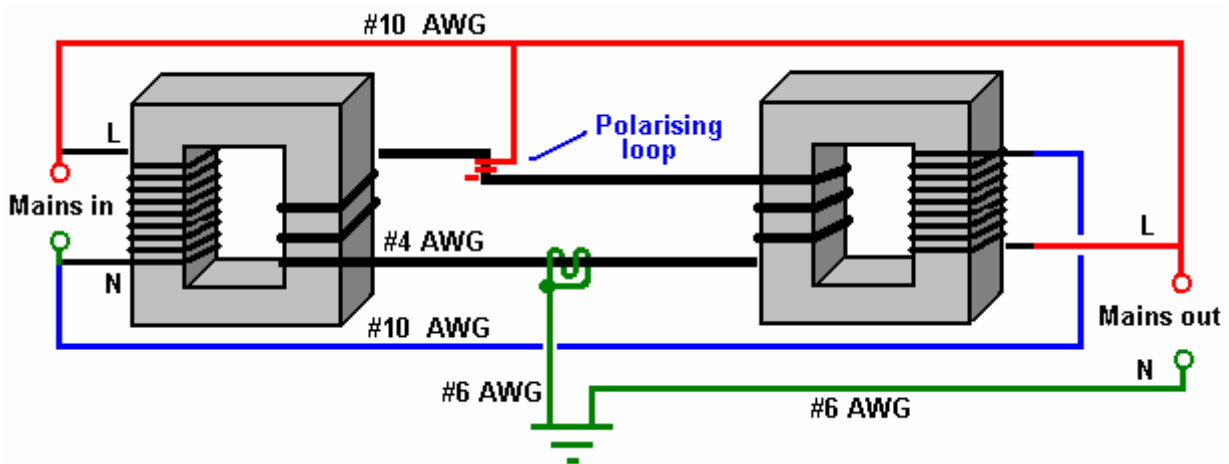
The return ground rods are linked in a series loop and then, from a convenient ground rod to the green 2.5-turn loop around the black captor loop and then on to serve as the captor Neutral to the load.

You will know that you have enough ground rods when the Captor rms output voltage **matches** the rms voltage of the inverter, and then, you will probably have to add about another ten ground rods in order to keep the rms voltage of the Captor output from dropping. If the Captor rms output voltage drops – simple – add more ground rods. Please understand clearly that without sufficient ground rods, the

apparatus just will **not** work. Here is a connection pattern where many 6-foot (1.8 m) long earthing rods are used:



The circuit diagram from ZeroZero shows this arrangement:

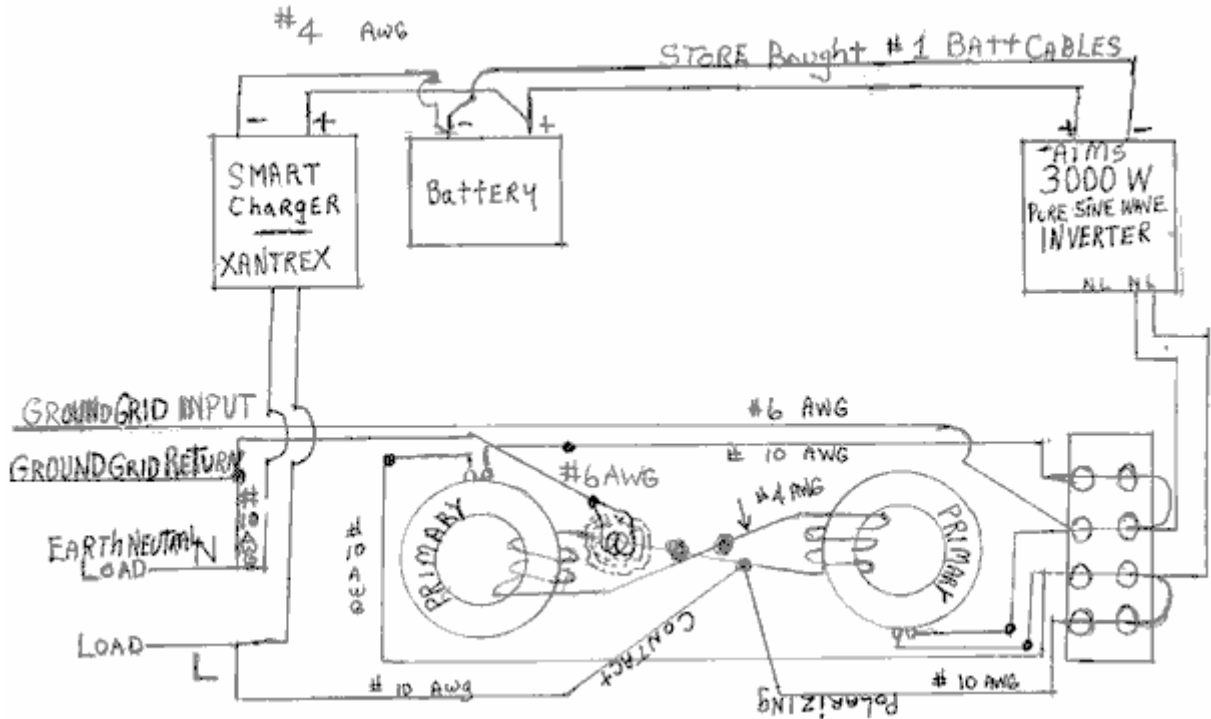


The direction of winding is vitally important as are the wire sizes. You will notice that the windings on the two magnetic frames are in opposite directions, **and**, the thick wire loop windings are both in opposite directions, **and**, the thick wire winds also oppose the thin wire winding on the same frame. Looking from above, the thick wire forms the shape of the numeral 8. The thick wire is AWG #4 with a diameter of 5.19 mm and the other core windings are AWG #10 with a diameter of 2.59 mm. The “polarising loop” is produced by taking a few turns of the AWG #10 wire around the insulation of the AWG #4 wire – the wires inside the cables are **not** actually joined together. The input and output are marked as “mains” as either 110V or 220V can be used, however, not actually fed from the mains as that would create a ground loop, but instead, the input is from an inverter. The earth wire is AWG #6 with a core diameter of 4.11 mm.

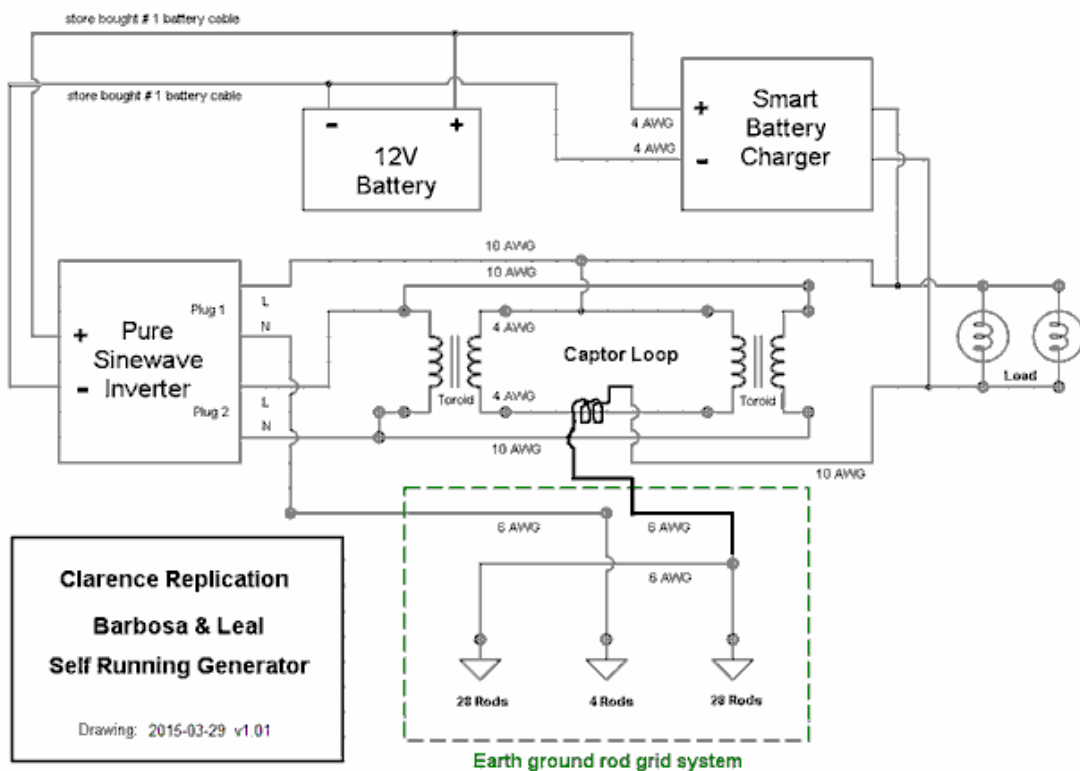
While the magnetic frames above are shown as rectangular, they are actually circular toroids (which was what Barbosa and Leal used but failed to mention). The ones used by Clarence are type TD300 1120 toroids with a diameter of 5.2 inches (132 mm) and a thickness of 2.3 inches (58 mm) each weighing 6.2 pounds (2.8 Kg) and available from

http://www.tortran.com/standard_isolation_transformers.html. Clarence remarks that building this power generator replication is not cheap and he has spent more than US \$2000 on his replication. Mind you, with an output power of 3 kW, this unit meets all of his household electrical requirements.

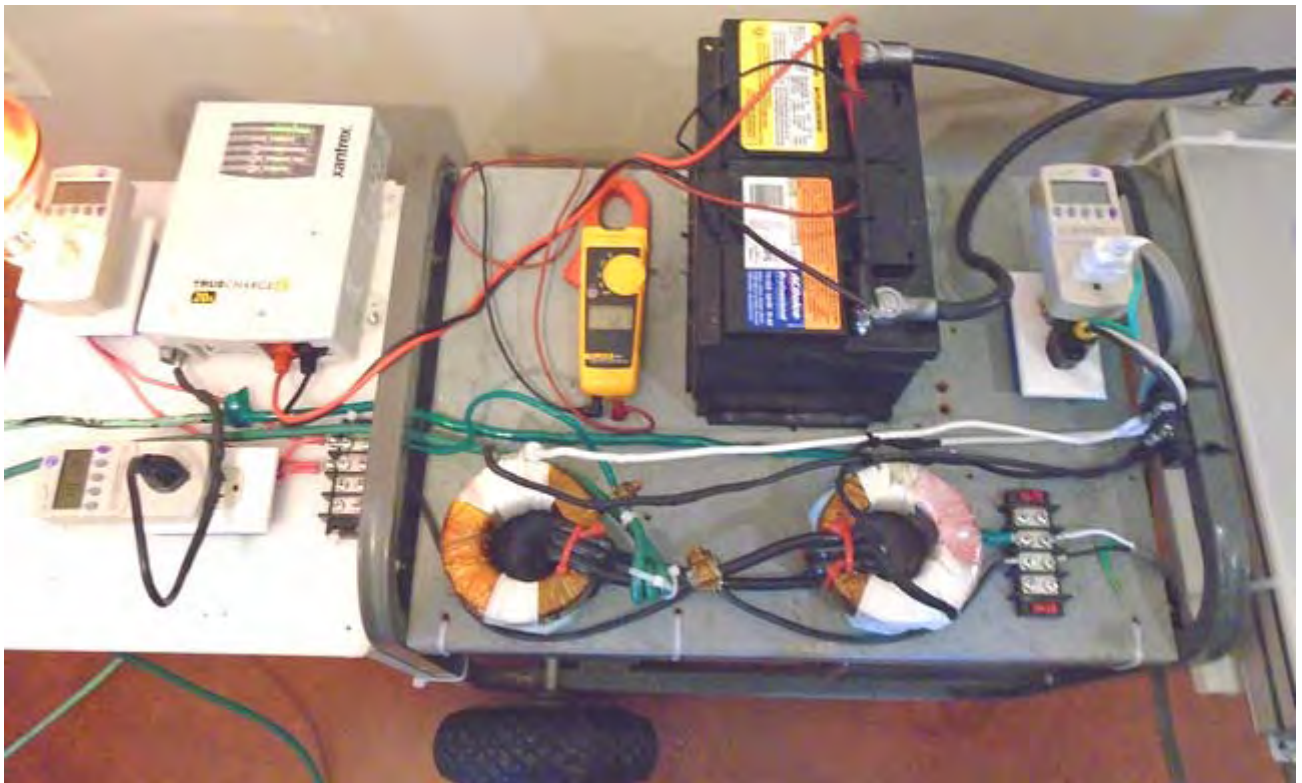
It is said that all builders should get a global or national Geomagnetic Map of their area before building, but Clarence says that he is in a "dead" area anyway, so there is probably little point in this as the number of earthing rods needed in your area is found by trial anyway, and knowing in advance does not change that number.

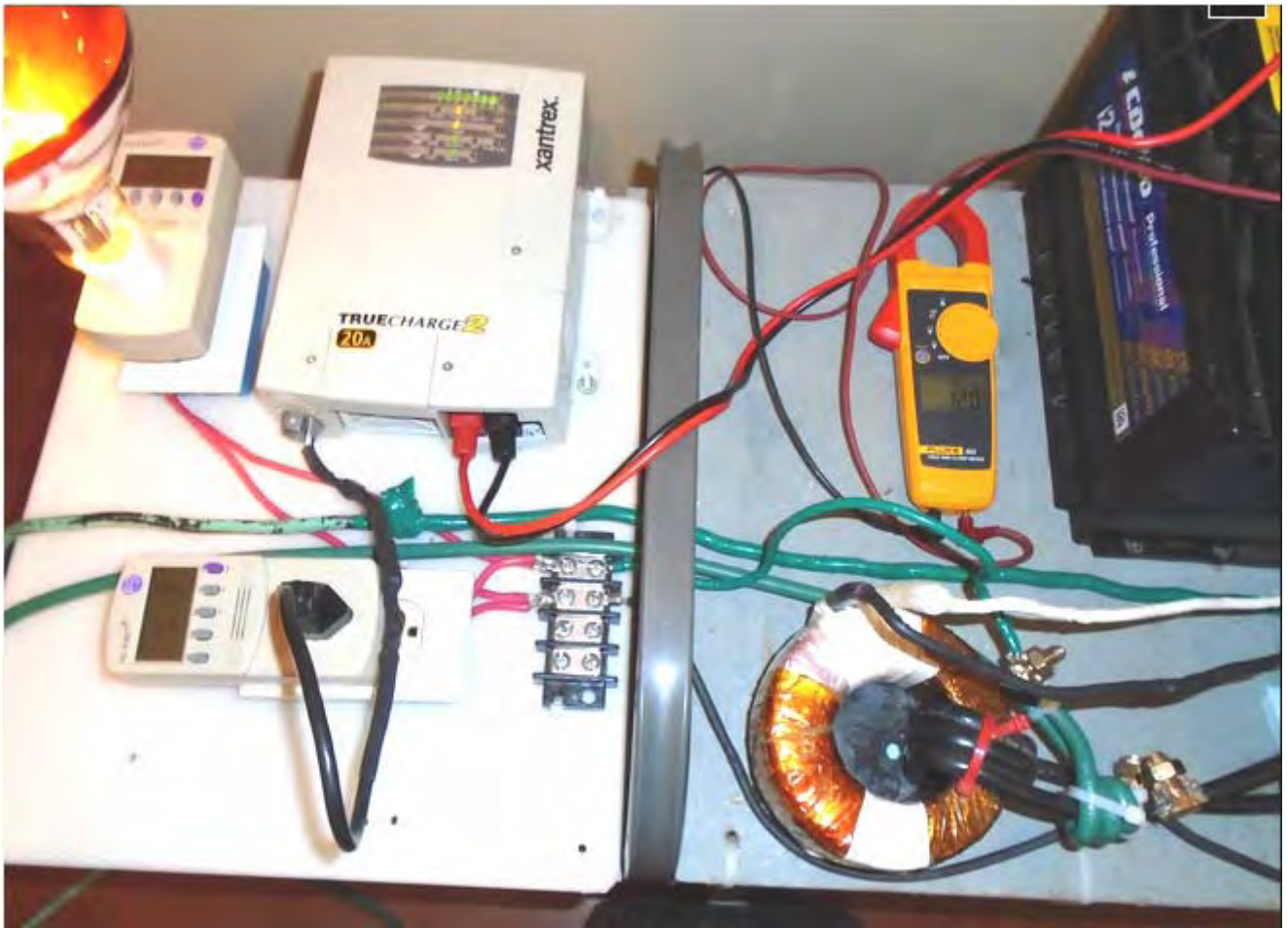
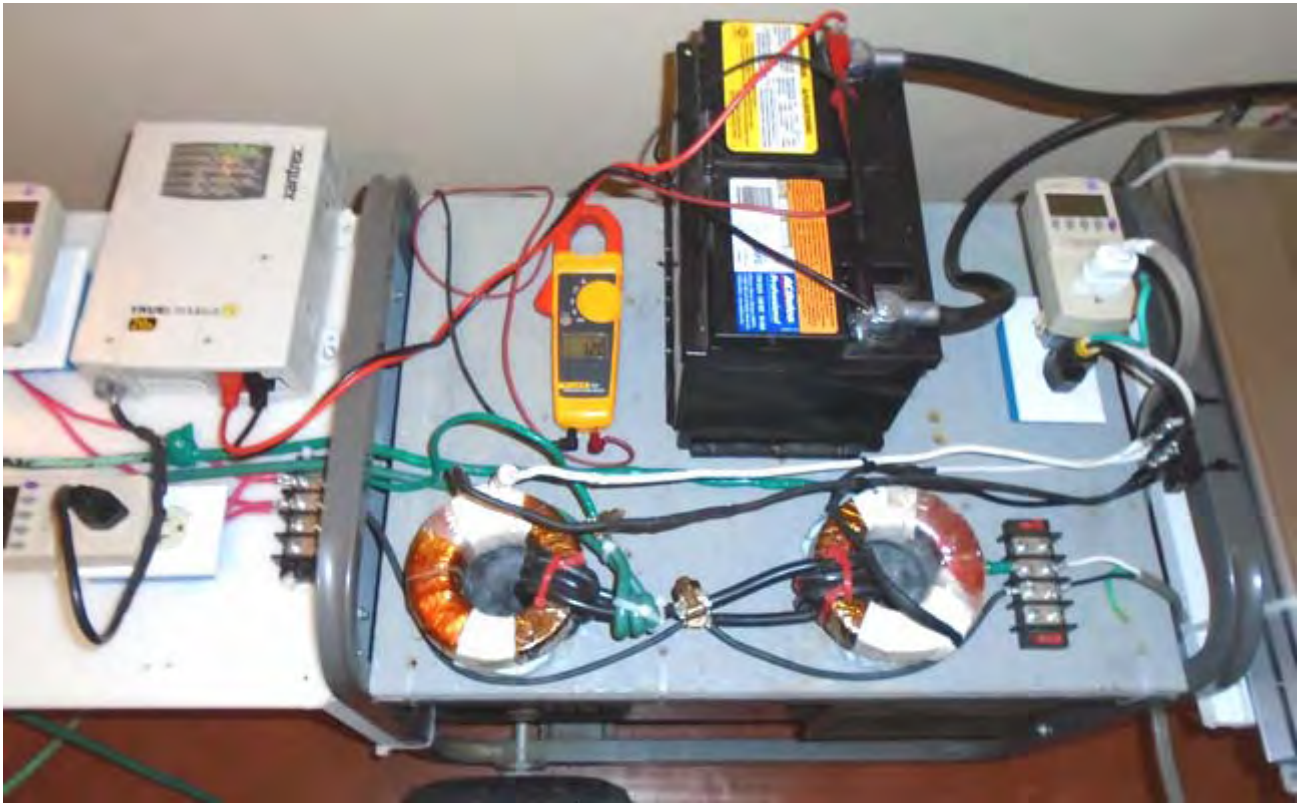


Another edition of the circuit diagram is:



Here are some pictures of Clarence's successful build:





Components used were:

Toroids:

Bridgeport Magnetics :

[Tortran - In Stock Standard Design Toroidal Isolation Transformers - Bridgeport Magnetics Group](#)

Contact: Michael Kharaz E-mail: sales@bridgeportmagnetics.com

[Tortran Division- Contact us - Bridgeport Magnetics Group](#)

Custom ordered toroid (2 required):

TD300-1120-P, 300VA, 60Hz, Primary 120V, 160 degrees winding on toroid surface, no secondary winding - \$125 USD each

Smart Battery Charger:

Xantrex TrueCharge2 Battery Charger - 20Amp model

Website: [Truecharge Battery Charger | Truecharge2 20A, 40A, 60A | Xantrex](#)

Xantrex Dealers list:

[Where to Buy - N. America](#)

Available from Amazon.com:

[Amazon.com: Xantrex 804-1220-02 TRUECharge2 12V 20A Parallel Stackable Battery Charger: GPS & Navigation](#)

Looks like the price is around \$260 to \$300 USD - depending where you order from.

Minimum recommended battery bank size for use with the 20Amp Charger model is 40 Ah

12V Pure Sinewave Power Inverter

AIMS POWER 3000 Watt 12VDC Pure Sine Wave Power Inverter - Model: PWRIG300012120S

Website: <http://www.aimscorp.net/3000-Watt-Pu...-Inverter.html>

Available from:

InvertersRUs - \$699 USD <http://www.invertersrus.com/aims-pwrig300012120s.html>

Amazon - \$799 USD <http://www.amazon.com/AIMS-Power-PWR...+wave+inverter>

Forum moderator "Level" who has done an excellent job of retrieving and displaying Clarence's material here: <http://www.energeticforum.com/renewable-energy/20091-barbosa-leal-devices-info-replication-details-2.html>, says:

Stick to the battery and inverter method as the power source, as that is the only way you can avoid a ground loop to the mains electrical power system. The one exception is you might be able to avoid such a problem when powering from the mains if you use an isolation transformer, but isolation transformers can be expensive and have a limited capacity as well.

Caution: Also beware that an inverter with an output of 120 volts or 240 Volts can kill you if you touch live wires, so don't build such a setup if you don't understand such things. You need to take necessary safety precautions.

Patrick J Kelly

www.free-energy-devices.com

www.free-energy-info.com

www.free-energy-info.co.uk